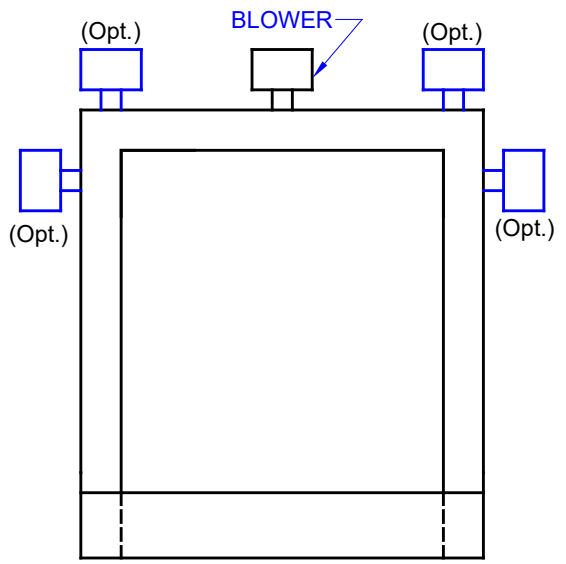
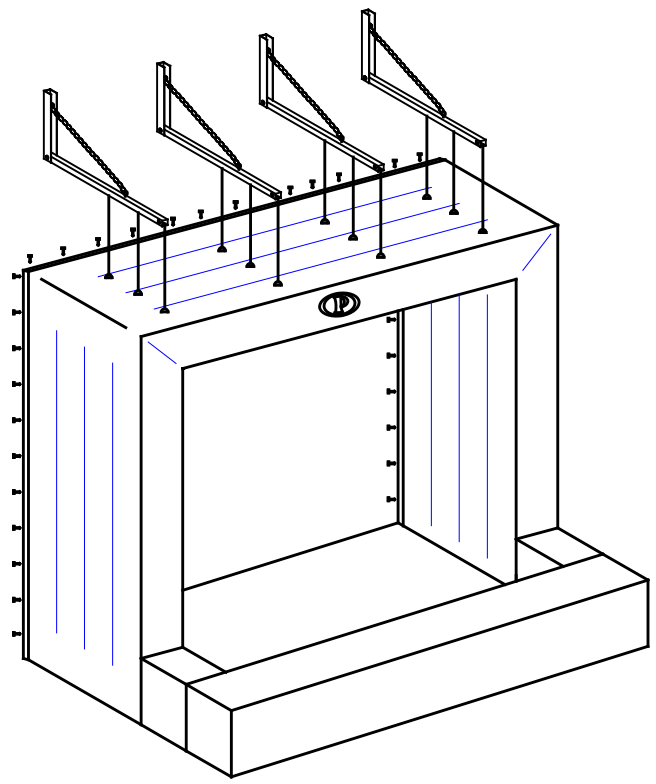
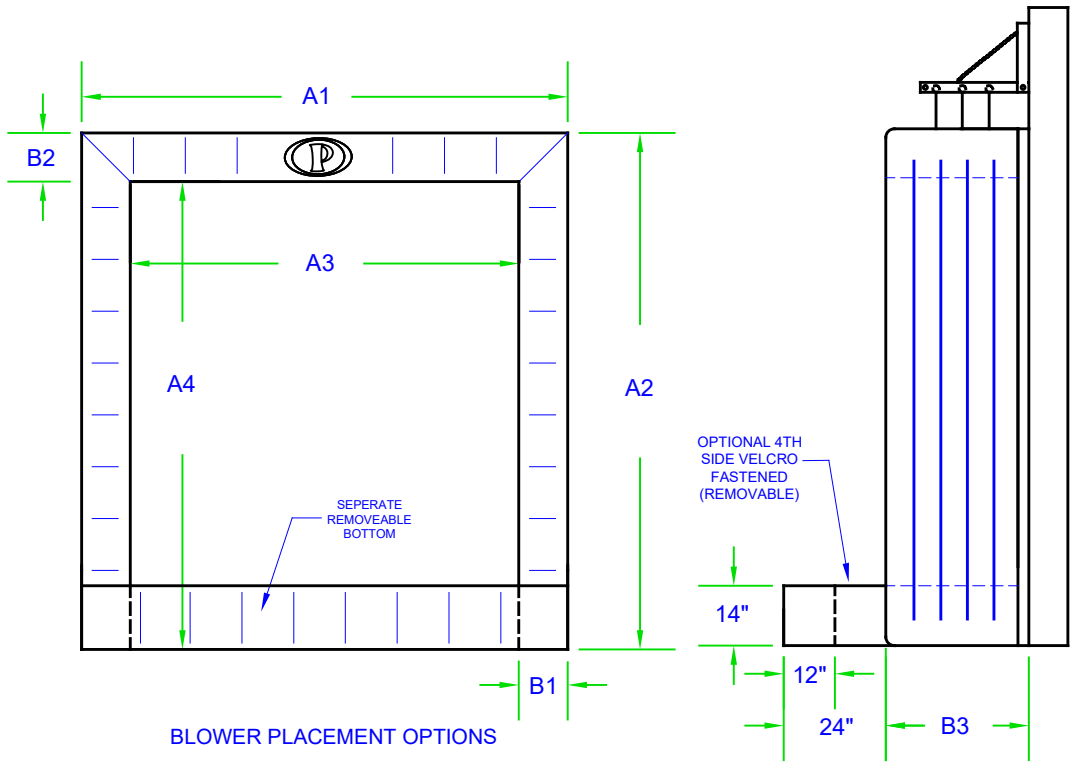


PERMA INFLATABLE MRI SHELTER SPECIFICATION SHEET / ANGLE BRACKET WITH TRACK & TROLLEY (ADJUSTABLE ANGLE)



DIMENSIONS:	
A1 - _____	" UNIT WIDTH
A2 - _____	" UNIT HEIGHT
A3 - _____	" OPENING WIDTH
A4 - _____	" OPENING HEIGHT
B1 - _____	" BACKBOARD WIDTH SIDE
B2 - _____	" BACKBOARD WIDTH HEADER
B3 - _____	" PROJECTION

GENERAL INFO:	
QUANTITY: _____	MODEL: <u>PERMA MRI-18-V-4-B</u>
DOOR SIZE: _____	WIDTH, _____ HEIGHT
FABRIC: <u>18 oz FR</u>	COLOR: <u>BLACK</u>
DOCK HEIGHT: _____	



PERMA TECH, INC.
 363 HAMBURG STREET • BUFFALO, NY 14204
 (716) 854-0707 • 1-800-DOC-SEAL
www.permatechinc.com

SPECIAL INFORMATION

JOB:	
DEALER:	
CONTACT:	ORDER #:
APPROVED BY SIGNATURE:	