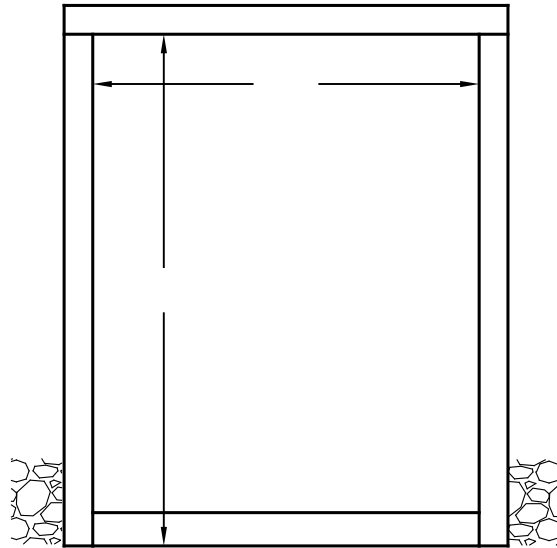


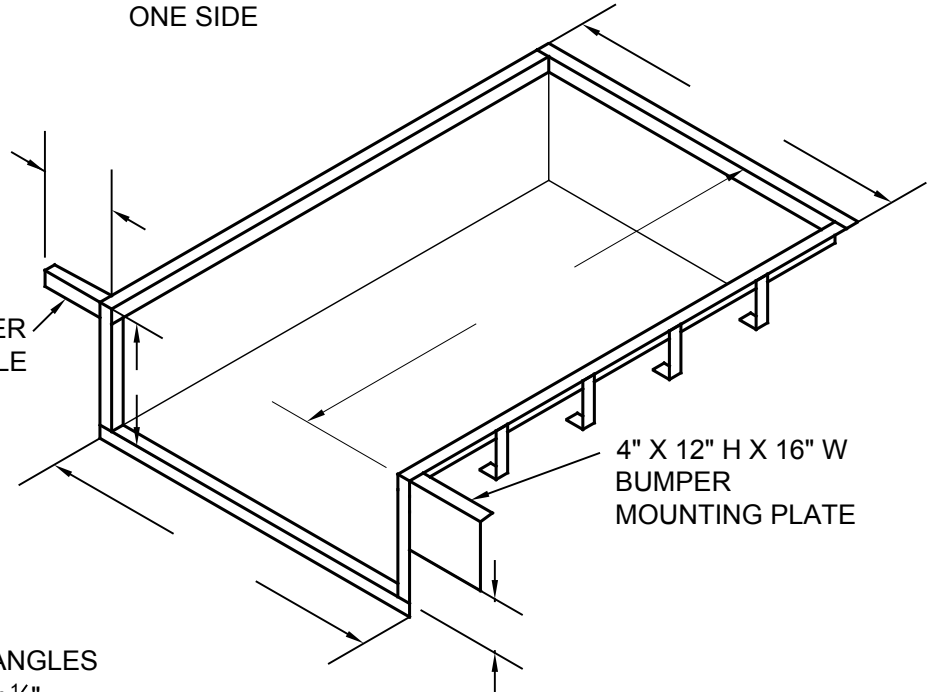
CURB ANGLE SET SPECIFICATION SHEET

TOP VIEW



PAINTED WITH
ONE COAT OF
PRIME PAINT ON
ONE SIDE

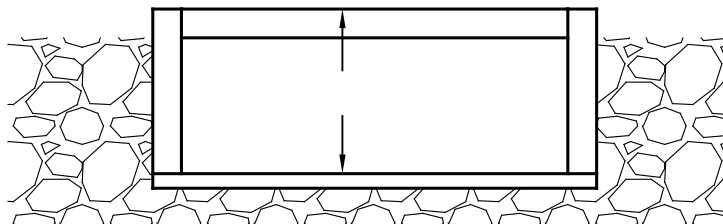
BUMPER
MOUNTING ANGLE



4" X 12" H X 16" W
BUMPER
MOUNTING PLATE

STEEL
CURB ANGLES
4" x 4" x 1/4"

FRONT VIEW



NOTE: 6 PC. - BACK, FRONT, SIDES
20/24 HIGH (VERTICAL NOTCH) , OR BUMPER MOUNTING
PLATE (4" x 12" x 16")
8 PC.- BACK, FRONT, SIDES 20/24 (VERTICAL NOTCH) ,
BUMPER MOUNTING PLATE OR 18" HORIZONTAL FOR
BUMPER MOUNTING

SPECIAL INFORMATION

QUANTITY: _____



PERMA TECH, INC.

363 HAMBURG STREET • BUFFALO, NY 14204
(716) 854-0707 • 1-800-DOC-SEAL

JOB: _____	
DEALER: _____	
CONTACT: _____	ORDER: _____
AUTHORIZATION: _____	