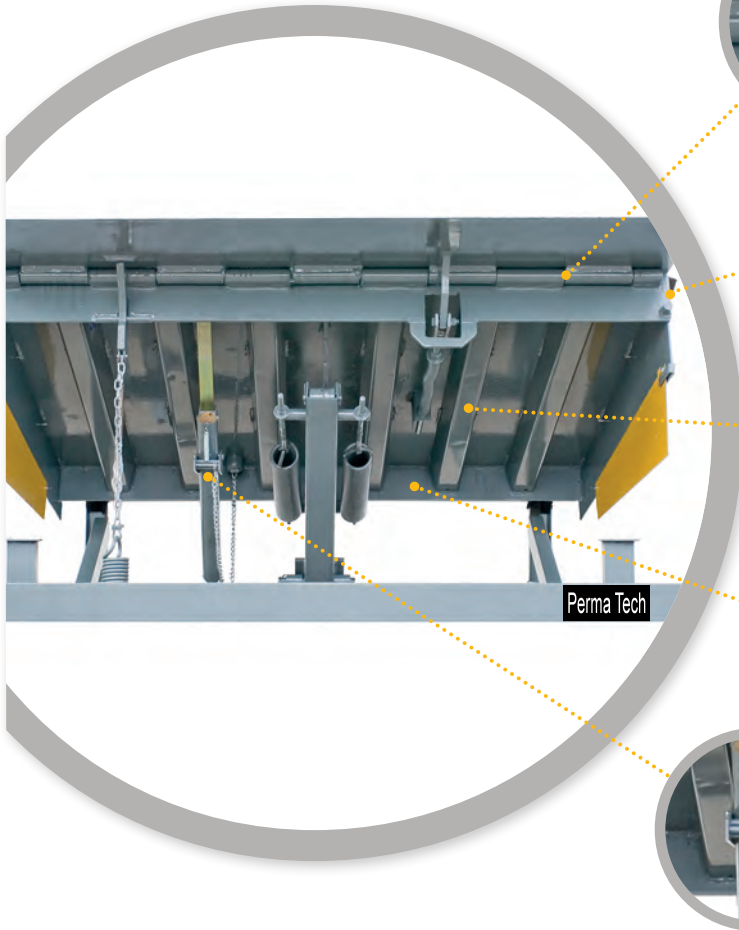


PermaDOCK-MD

The Mechanical Leveler

STANDARD FEATURES



1. **Lip Hinge & Pin** – Constructed of high tensile continuous seamless tube (minimum 70,000 lbs. yield) and a one piece hinge pin, provides superior strength and enhanced durability.

2. Minimum ¼" thick high tensile checker **Deck Plate** used on all dock levelers.

3. High Tensile **Formed "A" Beam**, a standard on docks up to 35,000 lbs. capacity. Wide flange I-beam construction on capacities 40,000 lbs. up to 50,000 lbs.

4. **Rear Frame and Tilt Design**. Designed with a flat bar to significantly reduce roll-over stress and our floating rear hinge compensates for uneven truck beds.

5. A **Deep Tooth Ratchet Holddown System** complete with an integrated float spring reduces premature wear and extends the life of the holddown.

SPECIFICATIONS

1. 30,000 lbs. capacity
2. 16" reach lip
3. Weather seals – 3 sides
4. Deep tooth ratchet hold-down
5. Telescopic toe guards
6. Maintenance stand

* Minimum of 4" projection bumpers required for proper installation

OPTIONS

- 30,000 lbs. up to 50,000 lbs. capacity
- 18" & 20" reach lip
- Full range operating toe guards
- Holddown with auto-reset on float spring
- 3 wheel forklift bracing
- Hot dipped galvanized
- Various size bumpers available



363 Hamburg Street
Buffalo, NY 14204
P: 716.854.0707 • TF: 800.362.7325
sales@permatechinc.com
permatechinc.com

2019 PermaDOCK-MD.
Duplication is prohibited without express written
consent of Perma Tech Inc. Design & specification
subject to change without notice.