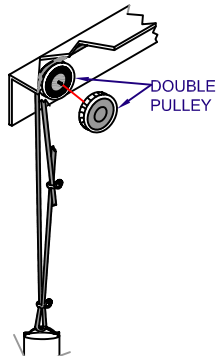
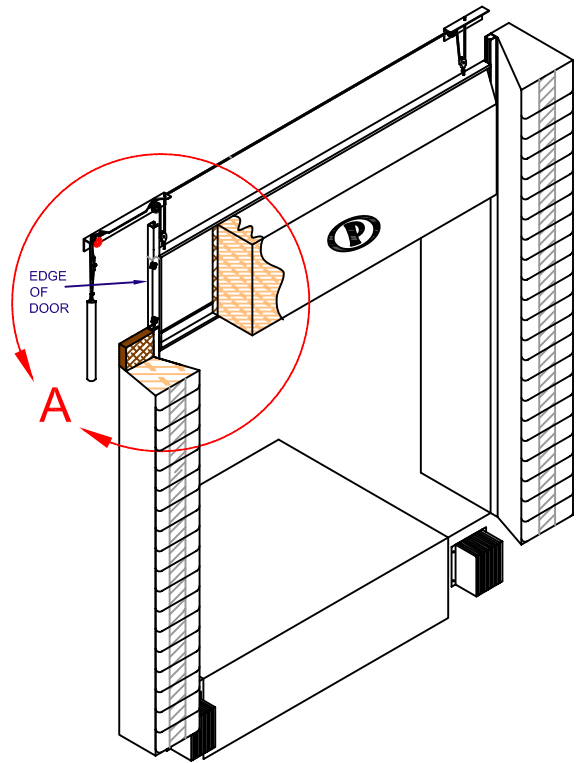
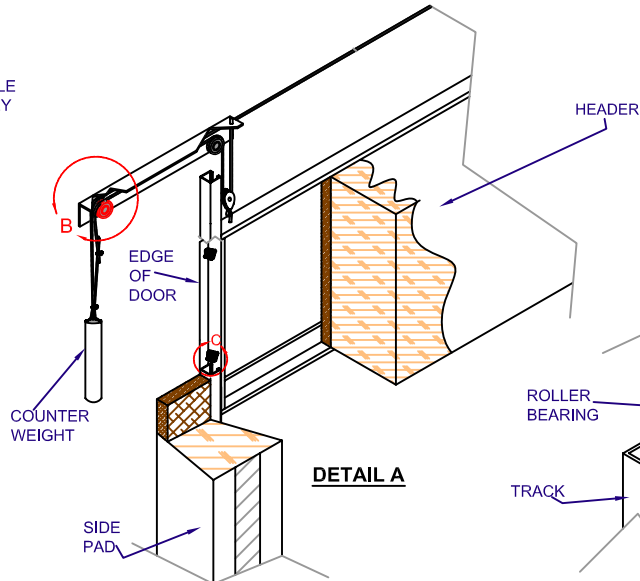


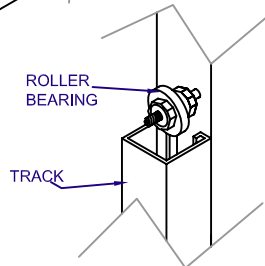
"AH" ADJUSTABLE HEADER DOCK SEAL SPECIFICATION SHEET



DETAIL B

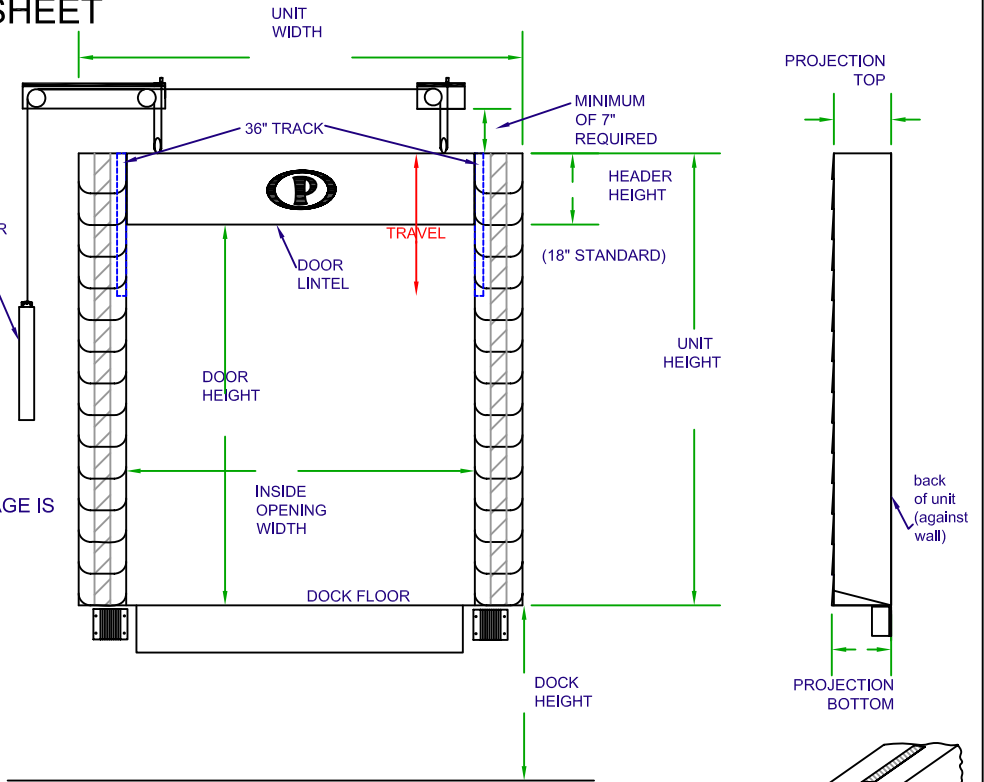


DETAIL A



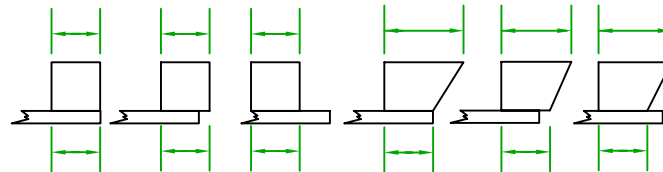
DETAIL C

NOTE:
TRUCK COVERAGE IS
10' 6" TO 13' 6"

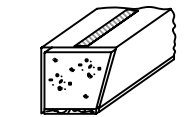


SIDE PAD MOUNTING VARIATIONS: CIRCLE ONE:

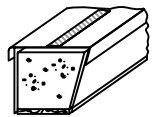
ENTER SIDE PAD FACE WIDTH



ENTER SIDE PAD BASE WIDTH



SINGLE BASE FABRIC



BASE FABRIC WITH CONTACT FACE

QUANTITY: _____ MODEL: _____
 UNIT SIZE: _____ WIDTH, _____ HEIGHT
 HEAD CURTAIN: _____ WIDTH, _____ DROP
 INSIDE OPENING WIDTH: _____
 INSIDE OPENING HEIGHT: _____
 PROJECTION: _____ TOP, _____ BOTTOM
 SIDE PAD: _____ HEIGHT, _____ WEDGE
 CHAIN FLAP: _____ WIDTH, _____ LENGTH
 BASE FABRIC: _____, COLOR: _____
 FACE FABRIC: _____, COLOR: _____

DOOR SIZE: _____ WIDTH, _____ HEIGHT
 DOCK HEIGHT: _____ BUMPER PROJECTION: _____

APPROACH: LEVEL DECLINE INCLINE
 _____ " DIFFERENCE IN 50'-0"

OPTIONS:
 VELCRO SLIT: _____ HEIGHT.
 3 ROPE PULL-UP
 UNIT SUPPORT FRAME: WOOD STEEL
 INSIDE WRAP -
 MATERIAL: _____, HEIGHT: _____

SPECIAL INFORMATION


PERMA TECH, INC.
 363 HAMBURG STREET • BUFFALO, NY 14204
 (716) 854-0707 • 1-800-DOC-SEAL
www.permatechinc.com

JOB: _____
 DEALER: _____
 CONTACT: _____ QUOTE #: _____
 APPROVED BY SIGNATURE: _____