



**Perma Tech, Inc.**

*"Your Single Source for ALL Your Loading Dock Needs"*

# **LOADING DOCK BUMPERS**

## ***INSTALLATION INSTRUCTIONS***

**NOTE:**

***CHECK SHIPPING CONTAINERS BEFORE RELEASING CARRIER.  
NOTIFY CARRIER IMMEDIATELY UPON DISCOVERING ANY CONCEALED DAMAGE.***

**WARNING :** Do not install this product unless you have read and understand the warnings and installation instructions contained in the manual.  
Failure to do so could result in serious injury or death.



**Perma Tech, Inc.**

Sales@PermaTechInc.com  
363 Hamburg Street, Buffalo, NY 14204  
WWW.PermaTechInc.Com

Toll Free: 800-362-7325  
Local: 716-854-0707  
Fax: 716-854-0774

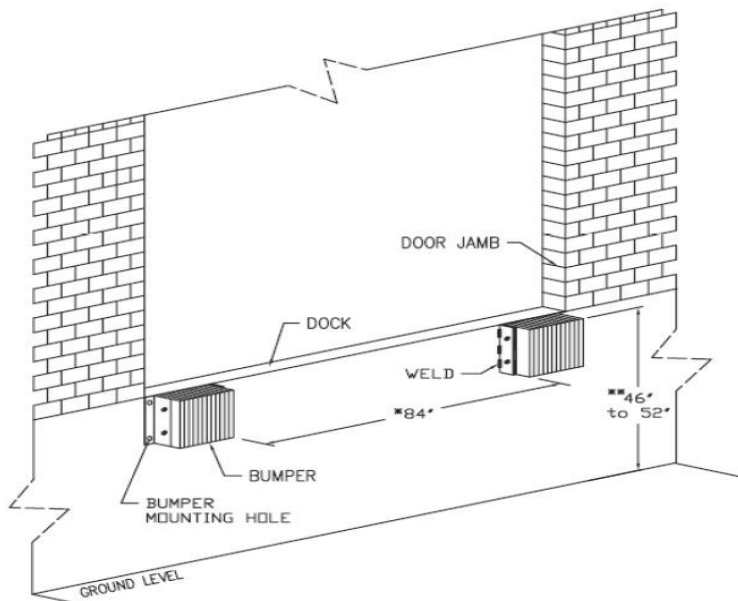
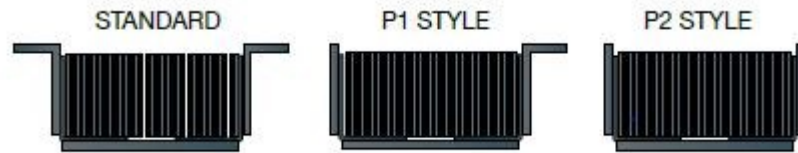
# Perma Tech Inc.

## LOADING DOCK BUMPERS INSTALLATION INSTRUCTIONS

**WARNING:** Post safety warnings and barricade work area, at dock and ground level, to prevent unauthorized use of the dock position while service work is being performed.

Loading dock bumpers are installed directly on the dock wall or welded to bumper mounting brackets before being installed on the dock wall.

The most common method for installing bumpers and brackets is using wedge anchors. The alternative method, if sufficient embedded steel is available, is to weld the bumpers/brackets or to use a combination of both methods (e.g. weld one side, anchor the other). Most bumpers will be installed using one of the following mounting methods:



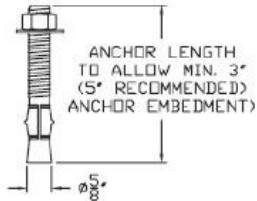
DWG. 1 BUMPER LOCATION CONCEPT VIEW (P1 STYLE BUMPERS SHOWN)

NOTE: 84" is the most common inside dimension for centered mounting of dock bumpers where no dock leveler exists. If a dock leveler exists, it is common to weld the inside edge of the dock bumper to the curb angle of the dock leveler pit, if the curb angle exists and is in good enough condition to support this type of anchoring. The best mounting style in this case is a "P1" style bumper.

\*\* If the actual dock height is less than 46", an above dock riser bracket may be required to provide proper dock protection \*\*

## Anchoring type Fastening Method:

1. Identify the exact bumper position on the loading dock referencing  
DWG.1 – Bumper Location Concept View.
2. Mark location of mounting holes on the wall. Make sure that any hole is distanced a min. 3” away from the concrete or brick wall edge.
3. Using a drill bit whose diameter equals the anchor diameter, drill hole depths exceeding the minimum embedment. Clean hole.
4. Position bumper at its location and make sure that bumper sits flat on the wall surface, apply appropriate wedge anchors through each mounting holes. Tighten anchor nuts according to specification below.



DWG. 2 RED HEAD BRAND  
ACCEPTED AND RECOMMENDED  
ANCHOR TYPE

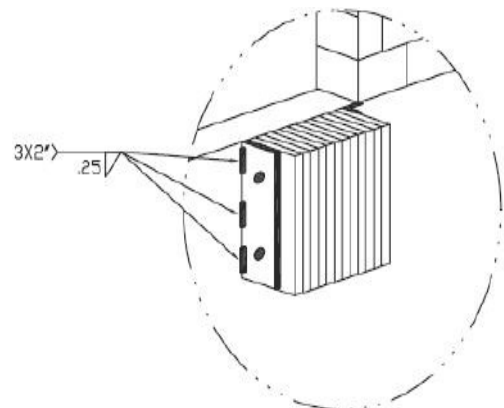
## Bumper Welding Fastening Method:

1. Identify the exact bumper position on the loading dock referencing

DWG. 1 – BUMPER LOCATION CONCEPT VIEW.

NOTE: Welding bumper to the dock door jamb and some types of dock leveler curb angles is not recommended. Some older designs do not have enough structural integrity to support against shocks transmitted from trailer impact. However, many later dock leveler models are formed using sound structural methods and may be able to support this type of installation. Verify with dock leveler contractor for accurate information.

2. Position bumper at its location: make sure that the bumper sits flat on the wall surface and installed location of bumper will not interfere with leveler operations. Tack weld bumper to the dock steel structure first. Finish welding by applying 0.25” wide and 2” long weld at 3 places on each welded side (see DWG. 3)



DWG. 3 BUMPER WELDING FASTENING METHOD  
(PI STYLE BUMPER SHOWN)

# LIMITED PRODUCT WARRANTY

## **Nytrex™ Slider Bumpers – 6 Year Replacement Warranty**

Perma Tech, Inc. warrants the satisfactory performance of the Slider Dock Bumpers (component only) for a period of six ( 6 ) years from date of manufacture. If any Slider Dock Bumper (component only) fail to provide a minimum six ( 6 ) year of useful life, Perma Tech, Inc. will replace it at no cost, covering parts only.

## **Nytrex™ Standard Bumpers – 5 Year Replacement Warranty**

Perma Tech, Inc. warrants the satisfactory performance of the Standard Dock Bumpers (component only) for a period of five ( 5 ) years from date of manufacture. If any Standard Dock Bumper (component only) fail to provide a minimum five ( 5 ) year of useful life, Perma Tech, Inc. will replace it at no cost, covering parts only.

## **Steel Faced Bumpers - 5 Year Replacement Warranty**

Perma Tech, Inc. warrants the satisfactory performance of the Steel Faced Dock Bumpers (component only) for a period of five ( 5 ) years from date of manufacture. If any Steel Faced Dock Bumper (component only) fail to provide a minimum five ( 5 ) year of useful life, Perma Tech, Inc. will replace it at no cost, covering parts only.

## **Laminated Dock Bumpers (3/8" steel & tire rubber) - 2 Year Replacement Warranty**

Perma Tech, Inc. warrants the satisfactory performance of the Laminated Dock Bumpers (component only) for a period of two ( 2 ) years from date of manufacture. If any Laminated Dock Bumper (component only) fail to provide a minimum two ( 2 ) year of useful life, Perma Tech, Inc. will replace it at no cost, covering parts only.

## **OTHER BUMPERS, WHEEL CHOCKS AND ACCESSORIES – 1 YEAR LIMITED MANUFACTURER'S WARRANTY**

Limitation of Liability:

All bumpers must be installed securely and to specifications with appropriate concrete anchors or acceptable welds or a combination of the two.

All bumpers must be applied in accordance with Perma Tech, Inc. usage guidelines. Bumpers that are used outside these guidelines will not be covered under this warranty.

Vertical Laminated bumpers mounted horizontally will not be covered under our warranty. (NOTE: Rubber slats must always run vertically and not horizontally)

Damage caused by jackknifing trailers will not be covered under warranty. Jackknifing trailers impacting bumpers at an angle may cause the rubber laminates to separate bumper or cause the bumper to dislodge from the dock face.

Damage caused by trailer override will not be covered under warranty.

Perma Tech, Inc. will not be responsible for any damage to Buildings, Dock Levelers, Vehicle Restraints, Dock Seals/Shelters, Overhead Doors or other equipment due to misapplied or damaged dock bumpers.

Written notice of any claim must be made within the warranty period by first class mail or personal delivery to a suitable person at Perma Tech's office at 363 Hamburg Street, Buffalo, New York 14204. Notice of delivery by e-mail or fax is not acceptable.

PERMA TECH, INC. EXPRESSLY DISCLAIMS AND CUSTOMER WAIVES ALL IMPLIED WARRANTIES INCLUDING WITHOUT LIMITATION, ANY IMPLIED WARRANTIES OF MERCHANTABILITY OR FITNESS FOR A PARTICULAR PURPOSE. PERMA TECH, INC. SHALL NOT IN ANY EVENT BE LIABLE FOR AND CUSTOMER WAIVES ANY INCIDENTAL, CONSEQUENTIAL OR PUNITIVE DAMAGES OF ANY KIND TO CUSTOMER OR ANY THIRD PARTY, INCLUDING WITHOUT LIMITATION DAMAGES FOR LOST PROFITS, EVEN IF ADVISED OF SAME.